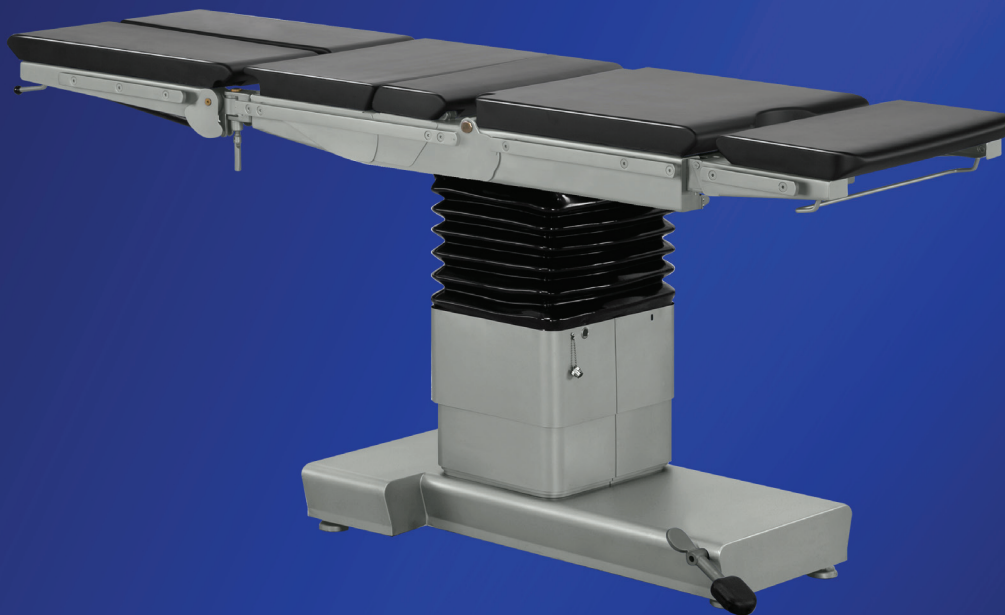
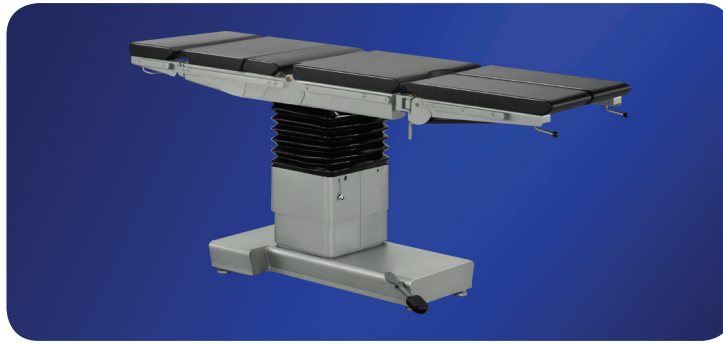


# OR Table BERLIN



The BERLIN operating table is perfectly suitable for the safe and comfortable positioning of the patient in all surgical disciplines, such as General Surgery, Cardio-Vascular Surgery, Gynecology and Urology, as well as Orthopedics and Neuro-Surgery, together with the corresponding accessories. All movements of the operating table and accessories are designed not only for the comfort of the patient, but also for an easy setup and stress less handling for the user.



The BERLIN operating table is equipped with the latest precision-electro-hydraulic system – Made in Germany, combined with an intelligent electronic control platform that allows the user a safe handling of the patient. The electronic controls can be integrated in the most common OR - Central Control Systems, via an Electronic Serial Interface, such as RS232. An external diagnostic program is also available.

The BERLIN operating table comes with a cable connected hand control and an additional side control panel on the table column as standard. Optional available are a wireless remote control, a foot switch and a manual override system.

The main construction of the BERLIN operating table consists of the highest quality – medical grade stainless steel.

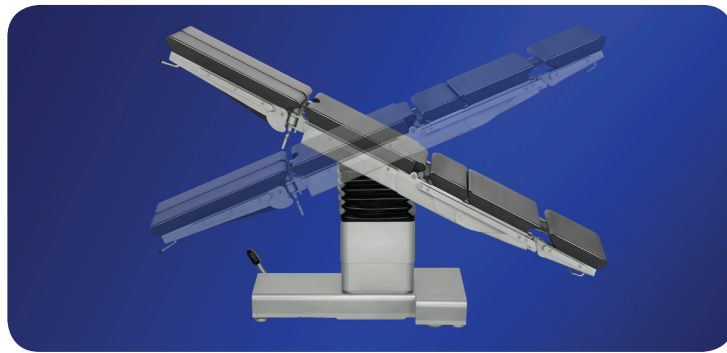
The BERLIN operating table is available with several different table tops and bases, especially designed for all requirements in any special discipline, such as Cardio-Vascular Surgery, Urology and Orthopedics. A special Trauma / Orthopedic table top, with integrated 3-segments shoulder plate and extension device is also available and turns the BERLIN operating table into a high sophisticated Trauma / Orthopedic table. A large range of operating table accessories will guarantee the best suitable setup for any patient positioning and operation.

All operating table functions are electro-hydraulically controlled, such as height adjustment, tilting left / right, Trendelenburg / Reverse -Trendelenburg, beach chair position and body / kidney elevator. The different options of leg plates and head rests are supported by gas springs.

Especially the BERLIN operating table is equipped with an electrical longitudinal shift of 400mm to guarantee the best possible access with an image intensifier. Additionally the head rest and leg plates can be exchanged. An electronic change of the patient orientation is integrated in the control system of the operating table.

The BERLIN operating table is available with soft multilayer SFC anti-decubitus mattresses or with traditional polyurethane-integral foam pads, both options at the same price.





## Technical Specifications

Table length	
• 5-section table top	2035 mm
• 6-section table top	2160 mm
Table top width, with side rail	550 mm
Table top width, without side rail	500 mm
Thickness of SFC mattress	60mm or 70mm optional
Height adjustment	700 to 1150 mm
Trendelenburg	40°
Reverse Trendelenburg position	40°
Back plate adjustment	+80° to -40°
Body-/Kidney elevator adjustment	+150 mm
Head rest adjustment	-55° to +50°
Leg plate adjustment (5-section table top)	-90° to +25°
Leg plate adjustment (6-section table top)	-90° to +90°
Leg plate abduction	180°
Lateral tilt – left/right	30°
Longitudinal shift	400 mm – electric
Battery power supply	24 V/DC
Charging power /mains supply - adjustable	110-240V, ~50/60Hz
Power consumption	100W
Patient weight capacity	>360kg on the table center 250kg in all positions

